



with

GENERALE
S i s t e m i | Country
Partner
for Italy



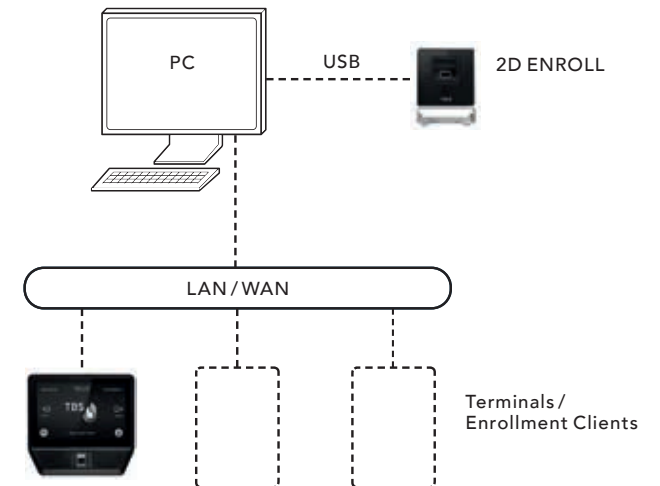
tagitalia.it
www.generalesistemi.it
tbs-biometrics.com

TOUCH FINGERPRINTING

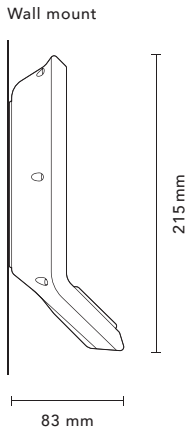
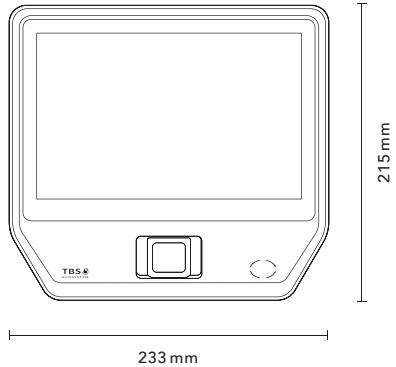
2D TIME

Touch-based biometric terminal ideal for workforce management applications thanks to its 9" touchscreen, customization options, and communication versatility.

- Capacitive touch sensor
- Excellent identification performance
- Large 9" screen can display many functional buttons for T&A and entire process workflows
- Network-capable via LAN, Wifi, 4G SIM card module
- Identification or verification with PIN
- Small and medium-sized user groups
- Wall mount including wall mount bracket
- Indoor installation
- Personalizable touchscreen
- User-friendly operation and configuration
- Customer-specific modifications
- Including power supply 12 VDC and mains cable



2D TIME



1 = Extendable by license. Figure indicates single fingerprints, iris pairs or hands
 2 = Indoor use only
 3 = Mifare Classic/Desfire only
 4 = Required if not sheltered
 5 = Supported bands: LTE FDD: B1/B3/B7/B8/B20/B28A WCDMA: B1/B8, GSM: B3/B8
 6 = Either/or, specify RS type upon order
 (*) = Optional, accessory or license needed

| | | 3D ENROLL (Series 2Z) | 2D ENROLL | 3D FLY | 3D AIR (Series 2Z) | 3D LIGHT | 2D IRON HD | 2D IRON | 2D SENSE | 2D TIME | 2D MOVE | TBS EDGE |
|----------------|--|-----------------------|------------|---------|--------------------|----------|------------|-----------|------------------|---------|---------|----------|
| Applications | Access Control | | | • | • | • | • | • | • | | | • |
| | Time & Attendance, Workforce Management | | | • | • | • | • | • | • | • | • | |
| Sensor | Touchless Hand Scanner | | | • | | | | | | | | |
| | Touchless 3D Finger Scanner | • | | | • | | | | | | | |
| | Touchless Iris Scanner | | | | | • | | | | | | |
| | Finger optical multispectral | | compatible | | | | • | • | | | | |
| | Finger capacitive | | • | | | | | | • | • | • | |
| | Thermal camera | | | | | (*) | | | | | | |
| User Interface | Touchscreen size in inch | | | 7.0 | 5.0 | 5.0 | 5.0 | 5.0 | 3.5 | 9.0 | 7.0 | |
| | RFID | | | | (*) | 3 | (*) | (*) | (*) | | 3 | |
| | PIN | | | • | • | • | • | • | • | • | • | |
| | Loudspeaker | | | • | • | • | • | • | | | | |
| | Beeper | | | | | | | | • | | | |
| Biometrics | Identification (1:N), database size limit ¹ | | 10'000 | 10'000 | 10'000 | 10'000 | 10'000 | 10'000 | 5'000 | 5'000 | 5'000 | special |
| | Verification (1:1), database size limit | | 100'000 | 100'000 | 100'000 | 100'000 | 100'000 | 100'000 | 100'000 | 100'000 | 100'000 | 100'000 |
| | FRR at FAR 1:100'000 | | <0.5% | <0.5% | <0.5% | <0.5% | <1.0% | <1.0% | <2.0% | <2.0% | <2.0% | |
| Communication | LAN | | | • | • | • | • | • | • | • | | • |
| | Wifi | | | | (*) | (*) | (*) | (*) | (*) | • | • | |
| | Mobile ⁵ | | | | | | | | | • | • | |
| Interfaces | RS-232 and RS-485 | | | • | • | • | • | • | 6 | | | • |
| | Wiegand out | | | • | • | • | • | • | • | | | • |
| | Relay (NO/NC selectable) | | | 2 | 1 | 1 | 1 | 1 | 1 | | | 2 |
| | GPIN/GPOUT | | | 2/2 | 2/2 | 2/0 | 2/2 | 2/2 | 3/1 | | | 2/2 |
| Security | Liveness detection | | | | (*) | | (*) | (*) | | | | |
| | Multi-level data encryption | | | • | • | • | • | • | • | • | • | • |
| | Template on card | | | | (*) | | (*) | (*) | (*) | | | |
| | Anti-tampering | | | | • | | • | • | (*) | | | |
| Installation | Input supply voltage DC | 5 | USB | 24 | 12-24 | 12-15 | 12-24 | 12-24 | 12-24 | 12 | USB | 12-24 |
| | Max. power rating in W | 10 | | 100 | 11 | 16 | 7 | 7 | 5 | 10 | | 15 |
| | Power over Ethernet | | | | • | (PoE+) | • | • | (*) | (*) | | (PoE+) |
| Conditions | Operating temperature in °C | 0 to 60 | 0 to 60 | 0 to 45 | -20 to 60 | 0 to 45 | -20 to 60 | -20 to 60 | -20 to 60 | 0 to 35 | 0 to 35 | 0 to 45 |
| | Humidity 10-90% | • | • | • | • | • | • | • | • | • | • | • |
| Mounting | Wall mount WM-Box ² | | | | • | • | | • | • | • | | • |
| | Wall mount HD-Box | | | | | | IP54 | | | | | |
| | Flush mount FM-Box (IP54) | | | | • | | | • | • | | | |
| Certifications | Outdoor protection kit | | | | (*) ⁴ | | | | (*) ⁴ | | | |
| | CE | • | • | • | • | • | • | • | • | • | • | • |
| | FCC/IC | | | • | • | • | • | • | • | | | • |